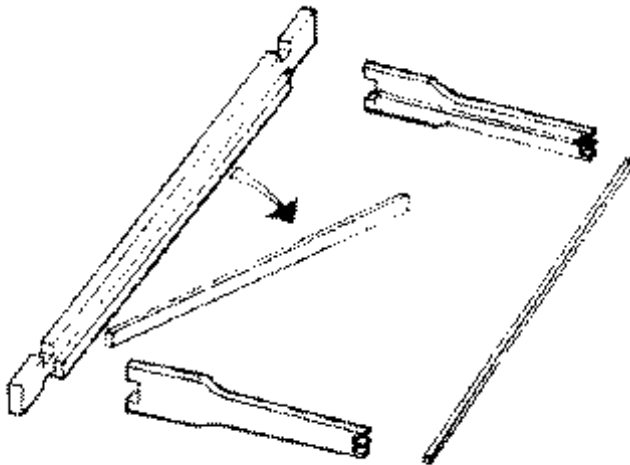
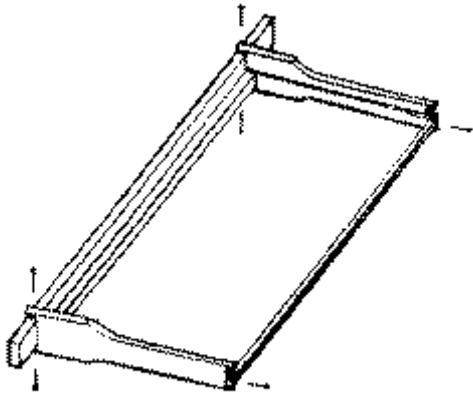


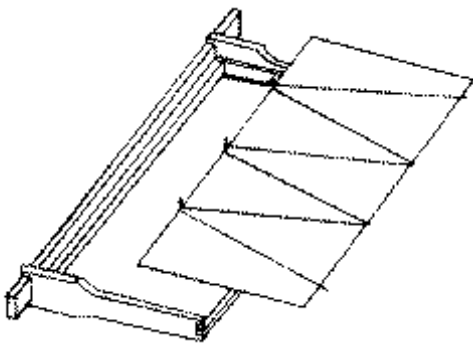
Frame Assembly



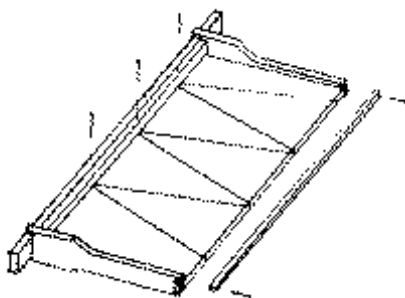
Remove Wedge from top bar. Slot in a side bar at both ends of the top bar making sure that the groove is facing inwards. Then place one bottom bar between the other ends of the two side bars (the opposite side to the side you removed the wedge from).



Nail as Shown - 2 nails for each side bar, and nail bottom bar up through side bars.



Bend over long loops of foundation, and lay foundation onto top bar, slotting it into grooves on sidebar.



Place the second bottom bar between the two side bars and nail into place.



When assembling Lanstroth or Dadant frames, you will see there is no groove in the side bar, The normal method is to assemble Hoffman frames with side bars pointing as shown.