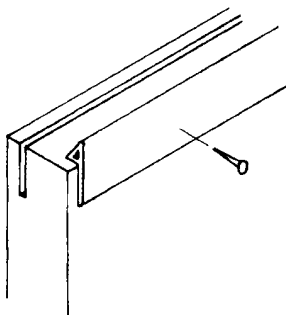


# How To Build Your Hive

## National Brood box or Super

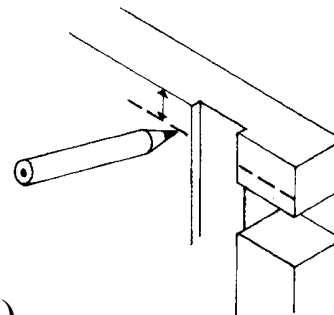
Read instructions through first.  
 Use of a PVA Glue recommended  
 Check regularly that the box is square

1)



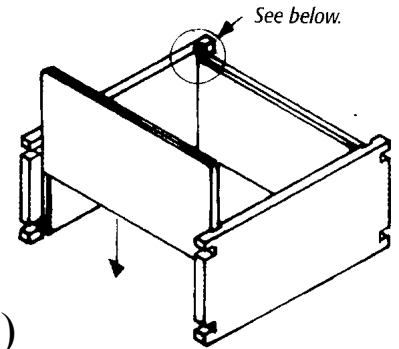
Bradawl the runners to prevent splitting. Nail the runners centrally on one side of the inner walls, using brass escutcheon pins. If assembling a super, ensure they are nailed on same edge as the frame spacer sawcut but on the other side

2)

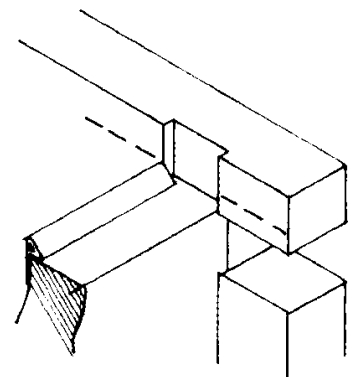


Mark the outer wall  $7/16''$  down, adjacent to the long groove.

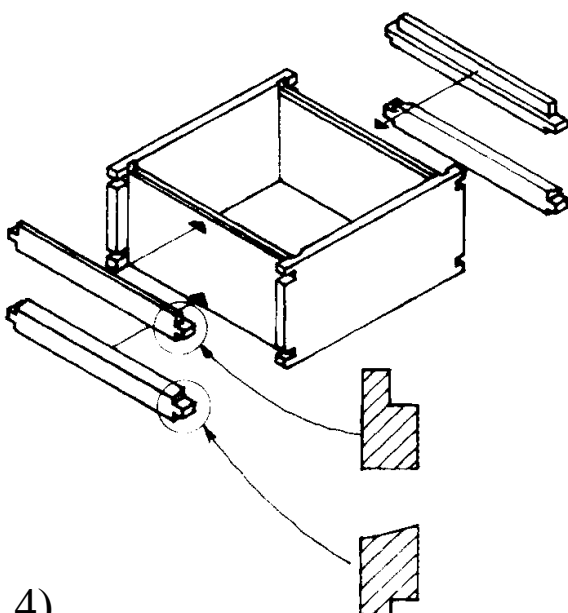
3)



Push inner boards into groove, ensuring top of runner coincides with mark.

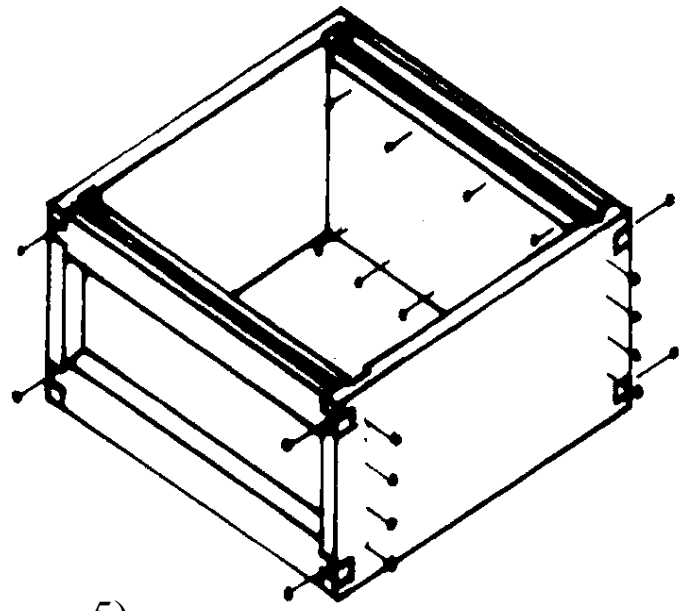


4)



Push locking bars into rebates, bevelled type at the bottom

5)



Nail through outer walls into inner walls using 2" nails. Nail locking bars in position using 2" nails. Nail locking bars from inside,  $3/16''$  down from the runners on inner wall, using 1.5" nails.