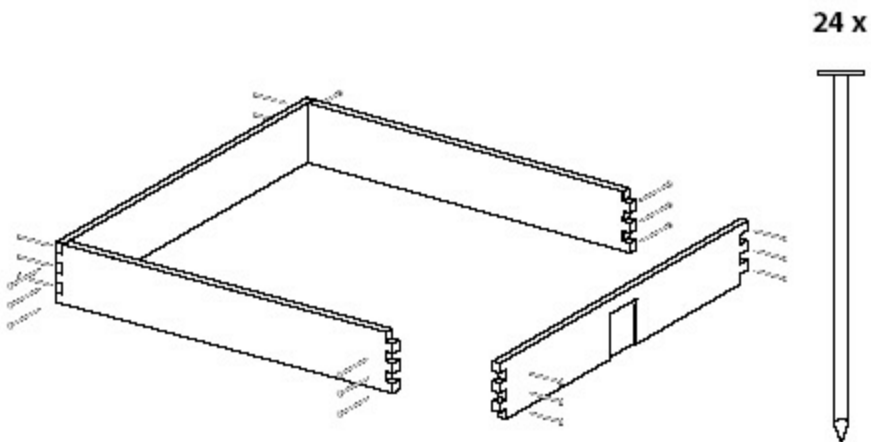
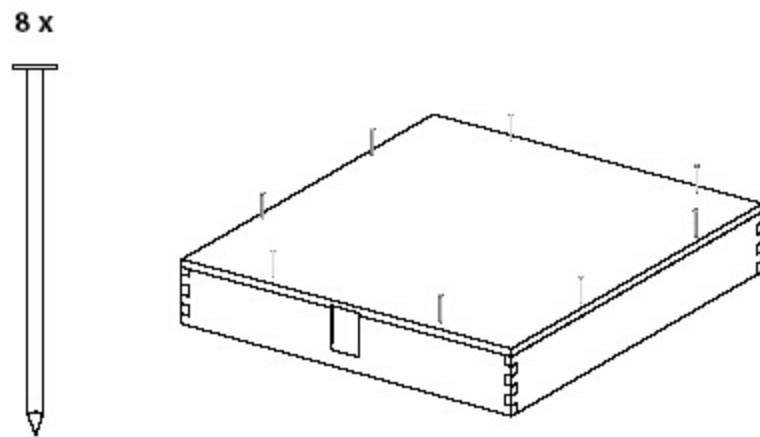


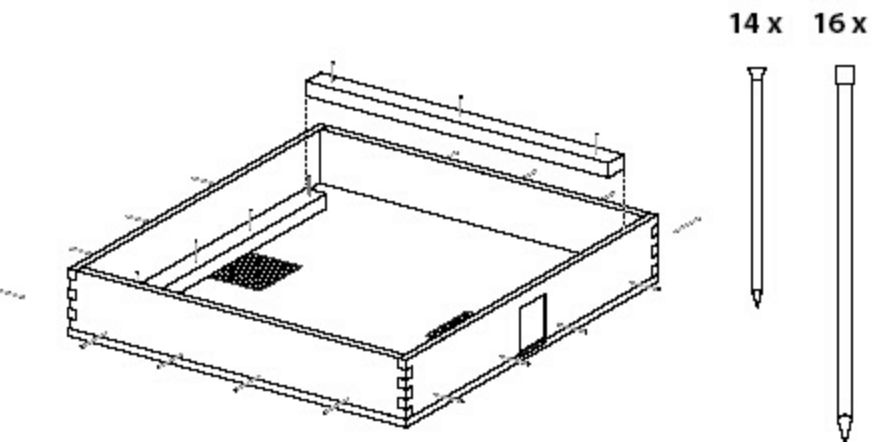
Assembly Instructions - National Roof



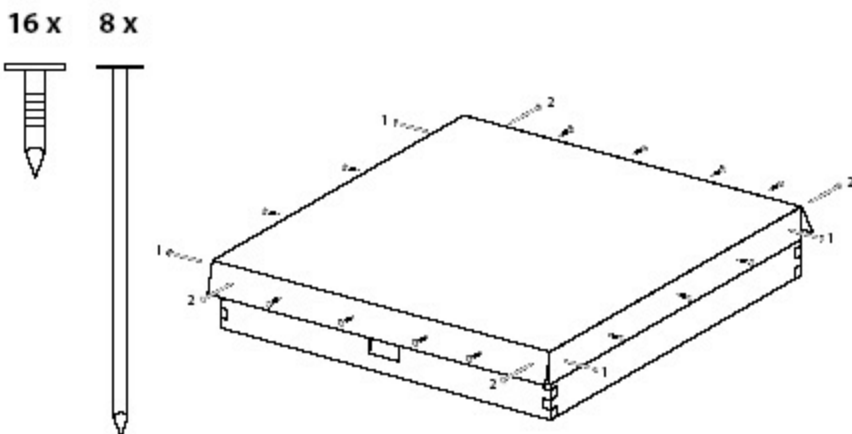
- 1** Assemble roof sides as diagram ensuring vent cutouts are to outside and aligned with grilles. Nail sides together using 24 x 40mm round head nails. Check side assembly remains square.



- 2** Turn frame over and nail roof panel to sides using 8 x 40mm round head nails. Ensure vent grilles align with side cutouts.



- 3** Place roof spacer blocks inside roof and nail to roof panel using 25 mm pins: 4 per block at vent sides and 3 per block at remaining sides. Nail through sides into spacer blocks using 24 x 40mm pins.



- 4** Place metal cover over roof and nail to sides in the following sequence: First the edges with flaps (1) in the corners with 4 x 40mm round head nails. Next nail the edges without flaps (2) in the corners using 4 x round head nails. Finally nail round the sides using 16 x 12mm round head nails.