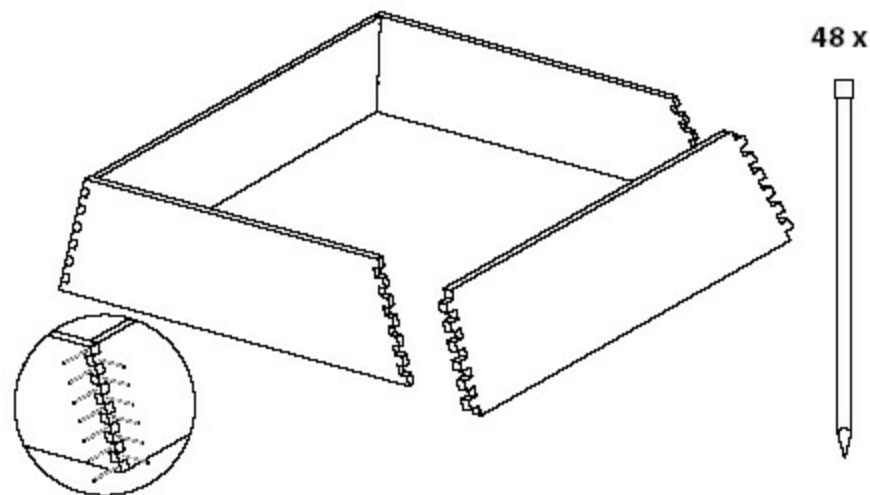
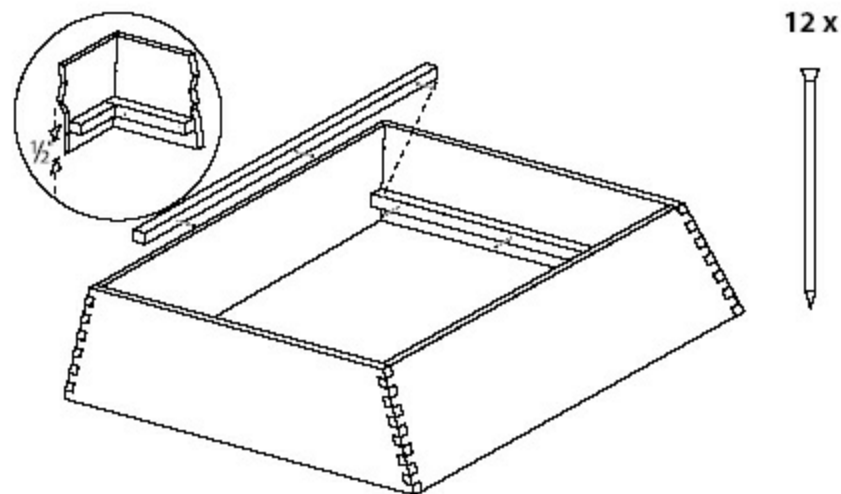


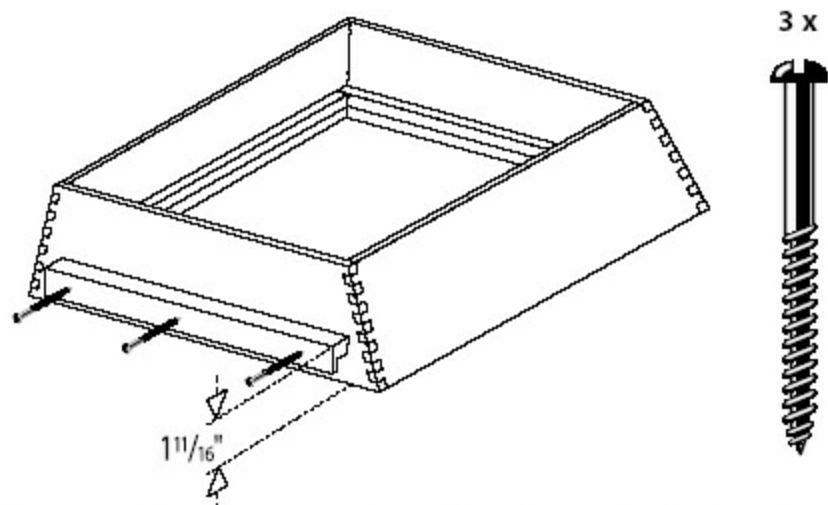
Assembly Instructions - WBC Lift



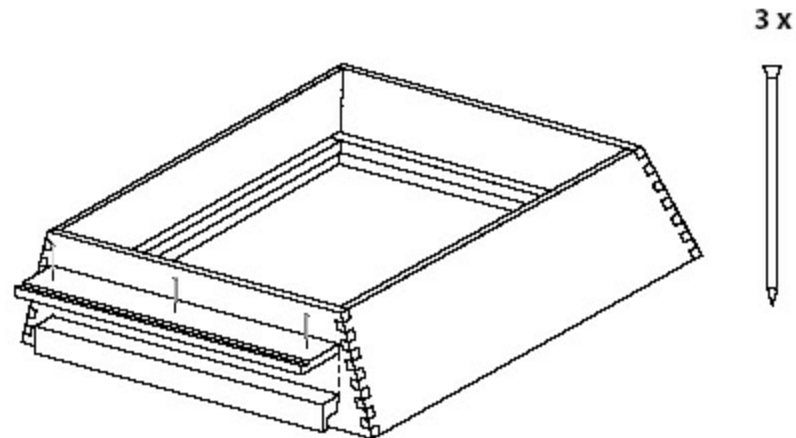
- 1** Fit sides together as shown. Nail through each dovetail with a 40 mm lost head nail as shown in diagram, 12 per corner. Check assembly is square.



- 2** Position lift support battens 1/2" up from lower edge as shown and nail each one with 3 x 25 mm pins.



- 3** Position porch base, correct way up as shown, with top edge 1 1/16 inches above lower edge of lift. Fix in place with 3 x 40 mm black japanned screws.



- 4** Place porch roof with drip groove uppermost and outwards onto porch base and nail with 3 x 25 mm pins.